

INSTRUCTIONS

Monolite Step Light – 240v (MONO240)



WARNINGS



PLEASE READ THESE INSTRUCTIONS CAREFULLY PRIOR TO INSTALLATION OR USE

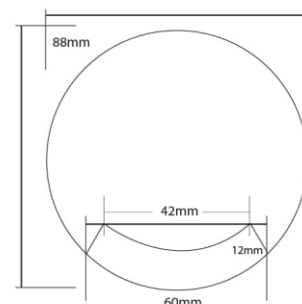
- If a fitting is found to be damaged, cease use immediately.
- This is a Class I product and must be earthed
- Install in accordance with the IEE Wiring Regulations and Building Regulations. If in doubt, consult a qualified electrician.
- To prevent electrocution, switch off mains supply before installing or maintaining this fitting. Ensure other persons cannot restore the electrical supply without your knowledge.
- This light fitting should be connected to a circuit with a 30Ma RCD fitted. Maximum 12-15 fittings on each circuit recommended.
- If replacing an existing fitting, make a careful note of the connections.
- All connections should be made as watertight as possible to avoid electrical shortage.
- When changing the bulb, always switch off at the mains & allow to cool before handling.
- Always use the correct type & wattage bulb. Never exceed the wattage stated.
- The unit may get warm whilst on for a period of time.



Voltage: 220 - 240v
Max. Wattage: 30w
Bulb Holder: G9 (lamp sold separately)
IP Rating: IP54
Material: Solid Brass
Cable Length: 1.5m (3 core open end)
Mount: Surface Mount



✓✓
**2 YEAR
GUARANTEE**
see website for
more details



CLEANING:

Occasional cleaning and care are recommended for this product. Wipe with a soft, slightly damp cloth to remove any surface dirt. Do not use abrasive cleaners or a lot of water as this could damage the fitting. Please refer to our website for more information on the best way to clean different materials.

RETURNS:

If purchased from a 3rd party, please contact your supplier. If purchased direct, contact us by phone or email:
Lumena Lights Ltd, Centre 33 Long March, Daventry, NN11 4NR Tel: +44 1327 871161 Email: sales@lumenalights.com

Our full returns policy is available on our website.

Producer Registration Number: WEE/KC3440XY

Waste Electrical Products should not be disposed of with household waste. Please check with your local authority or contact us for more information. Please recycle packaging whenever possible.

**INSTRUCTIONS ACCURATE AT TIME OF PRINTING.
CHECK FOR UPDATES ON OUR WEBSITE.**



Full product range & more information: www.lumenalights

INSTALLATION:

- Remove the front plate using a twist and pull action (anti-clockwise).
- Using the pre-drilled holes in the back mounting plate, mark drill holes in the desired mounting location. Note: ensure the fitting is mounting the correct way as marked with an arrow pointing up.
- Drill correct size holes where marked and insert plugs if required (M3 - M4 screws recommended).
- Power cable can either be connected and threaded through a drilled out hole in the mounting surface or secured externally (conduit recommended).
- Wire the fitting to the mains power supply (see below for wiring / connection).
- Screw the mounting plate (back) to the surface using 2 screws. Ensure no cables are trapped between the surface and mounting plate.
- Install LED bulb (see below for more information).
- Replace the front plate and secure in place ensuring the front plate slots in correctly with the backing plate.

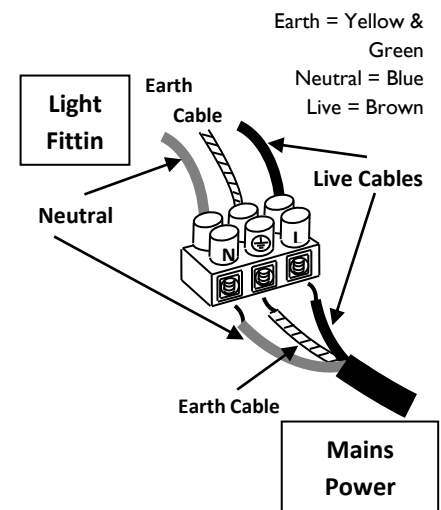
WIRING / CONNECTION:

Always use a waterproof Junction Box or Tubecon Connector to connect the fitting to the mains power supply.

IMPORTANT: Cable should be laid inside armoured conduit or piping to protect from water-logging, chemicals found in soil and damage. If buried, it should be buried to at least 0.5m below ground to reduce damage risk.

If this method is not used, cable warranty will be void

- Locate the mains electrical supply (pre-installed armoured cable).
- Ensure the mains power is switched off.
- Connect the fitting to a connector block located inside a waterproof junction box or a single waterproof in-line connector such as the Tubecon (sold separately)
- Ensure all terminals of the connector block are secure with no stray wires and that the connection is watertight.
- Seal the junction box to ensure a watertight seal
- Once fully installed, turn on the mains power.



LAMP INSTALLATION / REPLACEMENT:

- Remove the front plate using a twist and pull action (anti-clockwise).
- Insert G9 lamp (push action). Ensure the bulb is straight when installed to avoid damaging the pins. If you are finding this difficult, the bulb holder can carefully be pulled forwardly slightly and then returned to the original position.
- Replace the front plate and secure in place ensuring the front plate slots in correctly with the backing plate.

IMPORTANT: Condensation may occur due to the warmth inside the fitting produced by the lamp and the cold air outside. If this is noticed, on a dry day, turn off the power supply, safely remove the front plate and wipe dry with a soft cloth. A silica gel pouch can be left inside the fitting to soak up any excess moisture if required.

TROUBLESHOOTING:

If for any reason the fitting does not work after installation, please follow the below steps safely (power supply must be off):

- Check that all connections are correct and secure
- Check the cable for damage
- Change the LED bulb, double checking that it does not exceed the maximum wattage

If the fitting stops working after a period of time, please follow the above steps with the addition on the following:

- Check the fitting and the junction box for damage or water ingress

If none of the above rectifies the issue, please contact us for further assistance.