



### WARNINGS



PLEASE READ THESE INSTRUCTIONS CAREFULLY PRIOR TO INSTALLATION OR USE

- If a fitting is found to be damaged, cease use immediately.
- This is a Class 3 product (Low Voltage) – no earth required.
- **12V TRANSFORMER MAY BE REQUIRED – sold separately**
- This unit must be fitted by a competent person – if in doubt consult a qualified electrician.
- Install in accordance with the IEE Wiring Regulations and Building Regulations.
- To prevent electrocution, switch off mains supply before installing or maintaining this fitting. Ensure other persons cannot restore the electrical supply without your knowledge.
- This light fitting should be connected to a circuit with a 30Ma RCD fitted.
- If replacing an existing fitting, make a careful note of the connections.
- All connections should be made as watertight as possible to avoid electrical shortage.
- When changing the bulb, always switch off at the mains & allow to cool before handling.
- Always use the correct type & wattage bulb. Never exceed the wattage stated.
- The unit may get warm whilst on for a period of time.
- 12v Lighting must be wired in parallel, not series, and cable lengths kept to a minimum.

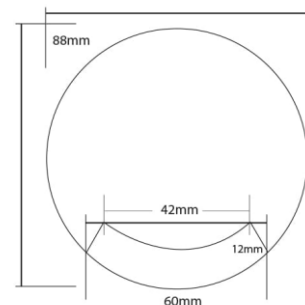
**VERSA**  
Plug & Play 12v System



**Voltage:** 12v (Low Voltage)  
**Max. Wattage:** 30w  
**Bulb Holder:** G4 (lamp sold separately)  
**IP Rating:** IP54  
**Material:** Solid Brass  
**Cable Length:** 1.5m (VERSA Plug & Play)  
**Mount:** Surface Mount



✓✓  
**2 YEAR  
GUARANTEE**  
see website for  
more details



### CLEANING:

Occasional cleaning and care are recommended for this product. Wipe with a soft, slightly damp cloth to remove any surface dirt. Do not use abrasive cleaners or a lot of water as this could damage the fitting. Please refer to our website for more information on the best way to clean different materials.

### RETURNS:

**If purchased from a 3<sup>rd</sup> party, please contact your supplier. If purchased direct, contact us by phone or email:**  
Lumena Lights Ltd, Centre 33 Long March, Daventry, NN11 4NR Tel: +44 1327 871161 Email: [sales@lumenalights.com](mailto:sales@lumenalights.com)

**Our full returns policy is available on our website.**

Waste Electrical Products should not be disposed of with household waste. Please check with your local authority or contact us for more information. Please recycle packaging whenever possible.

**Producer Registration Number: WEE/KC3440XY**

**INSTRUCTIONS ACCURATE AT TIME OF PRINTING.  
CHECK FOR UPDATES ON OUR WEBSITE.**

## INSTALLATION:

---

- Remove the front plate by a twist and pull action (anti-clockwise).
- Using the pre-drilled holes in the back mounting plate, mark drill holes in the desired mounting location. Note: ensure the fitting is mounting the correct way as marked with an arrow pointing up.
- Drill correct size holes where marked and insert plugs if required (M3 - M4 screws recommended).
- Power cable can either be connected and threaded through a drilled out hole in the mounting surface or secured externally (conduit recommended).
- Screw the mounting plate (back) to the surface using two screws. Ensure no cables are trapped between the surface and mounting plate.
- Connect the fitting to the transformer - power supply (see below for wiring / connection).
- Install LED bulb (see below for more information).
- Replace the front plate, ensuring the front plate slots into place correctly with the back plate.
- Once fully installed, turn on the mains power.

## WIRING / CONNECTION:

---

### IMPORTANT: 240v – 12v Transformer Required (sold separately)

- Push the plug firmly into the female adaptor of the Transformer or splitter.
- Screw the attached threaded cap to the female adaptor to create a secure, watertight connection.
- If a splitter is used, ensure a waterproof cap is used to cover any unused terminals.
- Attach the transformer to the splitter (sold separately) using the same method as above (extension cable may be required).
- Plug the transformer into the outdoor waterproof mains socket.

### NOTES:

- To avoid damage to cable after installation, ensure all cabling is positioned carefully around the edges of the garden, in conduit or similar, or hooked up on fences etc.
- It is recommended that the number of fittings on each circuit are kept to a minimum, fittings are positioned as evenly as possible around a circuit and each run kept as short as possible to prevent voltage drop. For longer cable runs. Thicker cable (1.5mm or 2.5mm) may be required.
- Ensure the transformer has plenty of air circulation to avoid overheating.

Male 2 Pin Plug & Play Adaptor (supplied)



Female 2 Pin Plug & Play Adaptor



## LAMP INSTALLATION / REPLACEMENT:

---

- Remove the front plate by a twist and pull action (anti-clockwise).
- Insert G4 lamp (push action). Ensure the bulb is straight when installed to avoid damaging the pins. If you are finding this difficult, the bulb holder can carefully be pulled forwardly slightly and then returned to the original position.
- Replace the front plate, ensuring the front plate slots in to place correctly with the back plate.

**IMPORTANT:** Condensation may occur due to the warmth inside the fitting produced by the lamp and the cold air outside. If this is noticed, on a dry day, turn off the power supply, safely remove the front plate and wipe dry with a soft cloth. A silica gel pouch can be left inside the fitting to soak up any excess moisture if required.

## TROUBLESHOOTING:

---

If for any reason the fitting does not work after installation, please follow the below steps safely (power supply must be off):

- Check that all connections are correct and secure
- Check the cable for damage
- Change the LED bulb, double checking that it does not exceed the maximum wattage

If the fitting stops working after a period of time, please follow the above steps with the addition on the following:

- Check the fitting and connections for damage or water ingress

If none of the above rectifies the issue, please contact us for further assistance.