

THANK YOU FOR YOUR PURCHASE
PLEASE READ THESE INSTRUCTIONS CAREFULLY PRIOR TO INSTALLATION / MAINTENANCE

SPECIFICATIONS

Wattage: 3.5W
Lamp: 3.5W, SMD LED Chips (120° Beam Angle)
Colour Temperature: 3000K (Warm White) / 6000K (Daylight White)
Lumen Output: Approx. 420 lm
LED Life Expectancy: up to 50,000 hours
Sensor: Light / Charge Sensor
IP Rating: IP65
Battery Type: Lithium - LiFePO4 3.2v/12Ah (replaceable)
Battery Charge Time: 6-8 hrs full sunshine (approx.)
Max Illumination Time at Full Charge: Up to 23hrs
Solar Panel: 5v / 6.5W Monocrystalline Solar Panel – Grade A
Materials: 6063 Die Cast Aluminium & Polycarbonate
Weight: 3.3KG (approx.)
Mounting: Internal Surface Mount
Lighting Function: 1hr 100% + 2hrs 80% + 2hrs 50% + 9hrs 30%
Working Temperature: -25°C ~ 55°C
Included: Bollard, Rubber Bung, Anchor Bolts
UK REGISTERED DESIGN: 6089624



WARNINGS



- If a fitting is found to be damaged, cease use immediately.
- The unit may get warm whilst on for a period of time.
- Always take care when installing your solar light.
- Fitting must be mounted to a solid surface or using relevant anchor bolts / J-Bolts
- This Solar Light will not charge correctly if the panel is behind glass or artificial light is used.
- Ensure the waterproof bung is in place at all times, other than when turning the unit on.
- Due to temperature difference in and outside the fitting, condensation may be present internally but will not affect use.

CLEANING & MAINTENANCE:

Occasional cleaning and care is recommended for this product. Wipe with a soft, slightly damp cloth to remove any surface dirt. To maintain efficiency, specifically clean the solar panel and polycarbonate lens on a regular basis. Also, keep the solar panel free of debris and snow to prevent reduced battery life or malfunction. Do not use abrasive cleaners or a lot of water as this could damage the fitting. Please refer to our website for more information on the best way to clean different materials.

RETURNS:

If purchased from a 3rd party, please contact your supplier. If purchased direct, contact us by phone or email:
 Lumena Lights Ltd, Centre 33 Long March, Daventry, NN11 4NR Tel: +44 1327 871161 Email: sales@lumenalights.com

Our full returns policy is available on our website.

Waste Electrical Products should not be disposed of with household waste. Please check with your local authority or contact us for more information. Please recycle packaging whenever possible.

Producer Registration Numbers: WEE/KC3440XY / BPRN0843

Full product range & more information: www.lumenalights.com

OLYMPIA TECHNOLOGY:

The Olympia is a highly efficient solar light with high capacity LiFePO4 Lithium batteries and a fast charging Monocrystalline solar panel. This means that even on partially cloudy and rainy days, it will re-charge efficiently. The high battery capacity gives enough power for up to 23 hrs solid light (approx. 2-3 nights) even when there is little light during the day. The high lumen light output is bright enough to illuminate driveways and paths, making them safe to navigate at night, with a downward spread light projection.

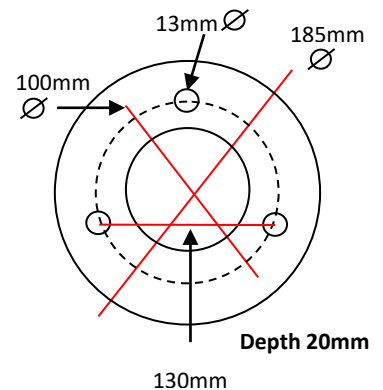
INSTALLATION:

Designed to be mounted on a low wall, wood, patio or set in concrete (J-Bolts sold separately) via the internal surface mount. **Recommended spacing is 3m apart for substantial path lighting. Closer spacing / staggering will result in a more intense light.**

Location – It is important that the installation location is carefully considered, avoiding shady areas. Ensure there is no other lights which could interfere with the light, imitating daylight and forcing the light off.

1. Use the base to mark the mounting holes on the mounting surface in the desired location.
2. Remove the light and drill out the 3 holes marked at the relevant depth and diameter for the mounting screws / wall plugs being used (varies based on mounting surface) – Anchor bolts recommended.
3. Replace the solar light, lining up the 3 x holes at the base and secure in place with the chosen screws / bolts - large washers may be required.

Do NOT overtighten.



MAX SCREW DIAMETER = 12MM – ensure long enough to clear 20mm depth of base.

Please note, the drainage hole located 7-10cm from the bottom of the bollard must be uncovered at all times.

IMPORTANT: Spacers may be beneficial between the surface and underside of the mounting base (20mm), depending on which type of fixing bolts are used. This will prevent overtightening of screws and potential strain / damage to the base.

TIP: If hexagonal coach bolts are used, use black dome covers to conceal the head of the bolt.

SETTINGS:

The Olympia has a pre-set time controlled setting which cannot be changed. At dusk, the bollard will illuminate at full brightness, and then follow a gradual dimming sequence until it reaches 30% brightness after 5 hours. From then on it will remain at 30% until dawn. This sequence is to ensure the maximum charge is retained.

IMPORTANT – SOLAR BOLLARD MUST BE TURNED ON AT ALL TIMES AFTER INSTALLATION

If the bollard is left in the off position, you may be prompted to turn the fitting on by strobing. Solar bollard will only charge when in the ON position.

Turning on the bollard

- 1) Remove the waterproof rubber bung located just below the polycarbonate lens, in line with the Lumina Logo, to locate the red on/off button.
- 2) Using a small, flathead screwdriver (or similar), push the on button inwards until it clicks and allow to pop back out (this will be partial). The bollard is now in the ON position.
- 3) Replace the waterproof, rubber bung.
- 4) To turn off for storage, repeat the same procedure as above.

NOTE: There will be a 2-5 second delay between turning the solar light on, and the bollard illuminating. In daylight, the light will turn back off within a few seconds, in darkness it will remain on and follow the time-controlled cycle.

STORAGE:

When storing the bollard, be sure to turn the bollard to the off position by following the above steps (check by covering and uncovering the solar panel). Once pressed, the on/off button will release fully forward. Maximum 6 months storage when fully charged – recharge will be required periodically to prevent damage to battery over long periods of time.

Full product range & more information: www.lumenalights.com