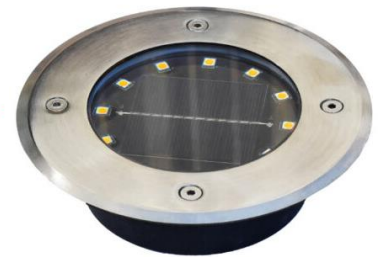
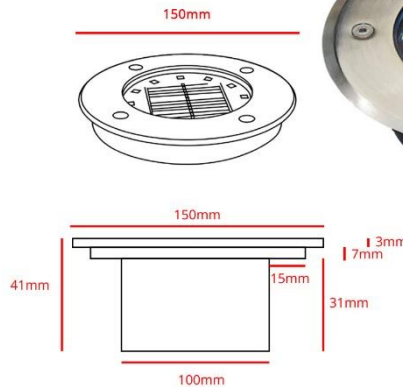


THANK YOU FOR YOUR PURCHASE
PLEASE READ THESE INSTRUCTIONS CAREFULLY PRIOR TO INSTALLATION / MAINTENANCE

SPECIFICATIONS

Pack Size: 1
Wattage: 3W
Lamp: 3W Epistar LED Chips SMD5050 12pcs (In-Built)
Colour: 3000K (Warm White) / 6000K (Daylight White)
Lumen Output: 210lm
LED Life Expectancy: up to 50,000 hours
Max Illumination Time at Full Charge: up to 2 nights
Sensor: Light Sensor
Battery Type: 2AH 3.7V Lithium Iron Phosphate 18650
Battery Charge Time: 6-8 hours
Solar Panel: 6V 0.6W Polycrystalline Silicon
IP Rating: IP67
IK Rating: IK08
Max. Tolerated Weight: 500KG (max speed 5mph)
Materials: Die-Cast Aluminium, Stainless Steel (304) and Tempered Glass
Weight: 570g (approx.) each
Working Temperature: -25°C ~ 60°C
Mounting: Recessed
Installed Height: 4mm
Functions: Dusk to Dawn (Auto) / Smart On/Off
Included: 1 x Light, 2 x M4 x 50mm Screws & Plugs, 3mm Allen Key



✓✓
2 YEAR
GUARANTEE
see website for
more details



⚠ WARNINGS ⚠

- If a fitting is found to be damaged, cease use immediately.
- The unit may get warm whilst on for a period of time.
- Always take care when installing your solar light, ensuring it is not a trip hazard.
- The Solar Light will not charge correctly if the panel is behind glass or artificial light is used.
- Due to temperature difference in and outside the fitting, condensation may be present internally but will not affect use.

CLEANING & MAINTENANCE:

Occasional cleaning and care are recommended for this product. Wipe with a soft, slightly damp cloth to remove any surface dirt. To maintain efficiency, specifically clean the solar panel and LEDs on a regular basis. Also, keep the solar panel free of debris and snow to prevent reduced battery life or malfunction. Do not use abrasive cleaners or a lot of water as this could damage the fitting. Please refer to our website for more information on the best way to clean different materials.

RETURNS:

If purchased from a 3rd party, please contact your supplier. If purchased direct, contact us by phone or email:
 Lumena Lights Ltd, Centre 33 Long March, Daventry, NN11 4NR Tel: +44 1327 871161 Email: sales@lumenalights.com

Our full returns policy is available on our website.

Waste Electrical Products should not be disposed of with household waste. Please check with your local authority or contact us for more information. Please recycle packaging whenever possible.

Producer Registration Numbers: WEE/KC3440XY / BPRN0843

Full product range & more information: www.lumenalights.com

SOLAR TECHNOLOGY:

This is a highly efficient solar light with high capacity Lithium Ion batteries and a fast charging Polycrystalline solar panel. This means that even on partially cloudy and rainy days, it will re-charge efficiently. The high battery capacity stores enough power for illumination across multiple nights. The subtle, yet effective glow is bright enough to mark the edges of driveways and paths, making them safe to navigate at night.

INSTALLATION:

The Soldial is designed to be recessed into the ground, mounted into decking, driveways or pathways. It is completely safe to walk-over and drive-over.

Location – It is important that the installation location is carefully considered, avoiding shady areas. The best position is in full sunshine / south facing. Ensure there are no other lights which could interfere with the fittings, imitating daylight.

CHARGE FOR 1 FULL DAY BEFORE FIRST USE

SECURE MOUNTING (Recommended for public areas)

1. Remove the 4 x socket screws on the top of the fitting with the supplied allen key, to remove the stainless steel bezel.
2. In the desired location, drill out a circular recess of 130mm diameter with a depth of 6mm.
3. Central to the 130mm recess, drill out a circular 100mm diameter installation hole. Allow for at least 37mm depth to accommodate the length of the back pot of the fitting.
4. Place fitting in the drilled hole and secure down via the two mounting holes, using the relevant fixings for the material mounting into (2 x M4 x 50mm screws & plugs supplied for mounting into a solid surface).
5. Replace stainless steel bezel, securing back in place using the 3mm allen key to re-tighten the 4 x socket screws (do not overtighten).
6. Turn on the fitting (see below).

For placement mounting only (non secure), to mount into decking, drill a 130mm circular hole with a depth of 37mm and place the fitting down. For mounting into gravel or soft ground, dig a 130mm hole with a 37mm depth decking, and place fitting down.

POWER ON / OFF:

To turn the fitting on, shine a bright light, such as a torch, onto the solar panel for approx. 5 seconds long. To turn the fitting off, flash a bright light at the solar panel on and off 3 times for approx. 1 second each time. Once turned off, the light will remain off during darkness (e.g during storage).

To check if the fitting is turned on during daylight, cover the solar panel and the light will illuminate if turned on.

THE FITTING MUST BE TURNED ON TO CHARGE.

STORAGE:

When storing this solar light, be sure to turn it to the off position by following the above steps (test by covering the solar panel). Max. 6 months storage when fully charged – recharge will be required periodically to prevent damage to battery over long periods of time. Follow the power off sequence prior to storing.

