

**THANK YOU FOR YOUR PURCHASE**  
**PLEASE READ THESE INSTRUCTIONS CAREFULLY PRIOR TO INSTALLATION / MAINTENANCE**

### **SPECIFICATIONS**

**Pack Size:** 1, 4 or 10  
**Wattage:** 0.8W  
**Lamp:** Taiwan Epistar 0.8w straight LED beads F5 round head  
**Colour:** Daylight White, Green, Red, Yellow  
**Lumen Output:** 70-80lm  
**LED Life Expectancy:** up to 50,000 hours  
**Max Illumination Time at Full Charge:** Up to 2 nights  
**Sensor:** Light Sensor  
**Battery Type:** 1.2V 600MAH NiMH Battery  
**Battery Charge Time:** 6-8 hours  
**Solar Panel:** 0.6W high efficiency polycrystalline  
**IP Rating:** IP68  
**Max. Tolerated Weight:** 20 Tonnes  
**Materials:** Aluminium Alloy, Polycarbonate  
**Weight:** 300g (approx.) each  
**Working Temperature:** -25°C ~ 65°C  
**Mounting:** Surface Mount  
**Installed Height:** 22mm  
**Function:** Constant on  
**Included:** 1 x Light (fixings not supplied)  
**Additional Features:** Reflector



### **⚠ WARNINGS ⚠**

- If a fitting is found to be damaged, cease use immediately.
- The unit may get warm whilst on for a period of time.
- Always take care when installing your solar light, ensuring it is not a trip hazard.
- The Solar Light will not charge correctly if the panel is behind glass or artificial light is used.
- Due to temperature difference in and outside the fitting, condensation may be present internally but will not affect use.

### **CLEANING & MAINTENANCE:**

Occasional cleaning and care are recommended for this product. Wipe with a soft, slightly damp cloth to remove any surface dirt. To maintain efficiency, specifically clean the solar panel and LEDs on a regular basis. Also, keep the solar panel free of debris and snow to prevent reduced battery life or malfunction. Do not use abrasive cleaners or a lot of water as this could damage the fitting. Please refer to our website for more information on the best way to clean different materials.

### **RETURNS:**

**If purchased from a 3<sup>rd</sup> party, please contact your supplier. If purchased direct, contact us by phone or email:**  
 Lumena Lights Ltd, Centre 33 Long March, Daventry, NN11 4NR Tel: +44 1327 871161 Email: [sales@lumenalights.com](mailto:sales@lumenalights.com)

**Our full returns policy is available on our website.**

Waste Electrical Products should not be disposed of with household waste. Please check with your local authority or contact us for more information. Please recycle packaging whenever possible.

**Producer Registration Numbers: WEE/KC3440XY / BPRN0843**

Full product range & more information: [www.lumenalights.com](http://www.lumenalights.com)

## SOLAR TECHNOLOGY:

---

This is a highly efficient solar light with high capacity Lithium Ion batteries and a fast charging Polycrystalline solar panel. This means that even on partially cloudy and rainy days, it will re-charge efficiently. The high battery capacity stores enough power for illumination across multiple nights. The subtle, yet effective glow is bright enough to mark the edges of driveways, private roads, pathways and cycle routes, making them safe to navigate at night.

## INSTALLATION:

---

The UniLED is designed to be surface mounted for applications such as driveways, pathways, private roads, cycle routes and many more, due to its shape, strength, and reflective features. It is completely safe to walk-over and drive-over.

Location – It is important that the installation location is carefully considered, avoiding shady areas. The best position is in full sunshine / south facing. Ensure there are no other lights which could interfere with the fittings, imitating daylight.

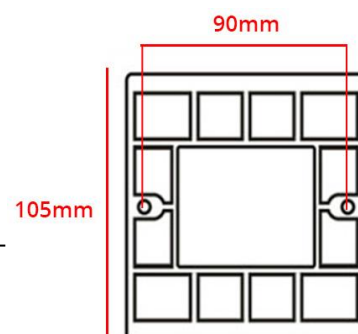
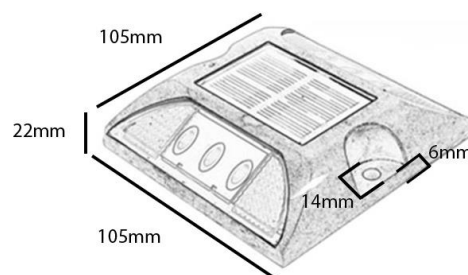
### CHARGE FOR A FULL DAY BEFORE FIRST USE

## MOUNTING

Fixings not supplied (2 part epoxy adhesive or M5 screws recommended - widely available)

1. Select the desired location and mark the 2 x mounting holes.
2. Drill the marked holes to fit the fixings being used.
3. Attach fitting down with the relevant screws (do not overtighten).

If mounting using adhesive instead of fixings, apply the adhesive to the back of the fitting. Place in the desired location, pressing down the fitting, and then leave to dry for the recommended time. Always follow the manufacturer's installation guidelines when using 2 part epoxy adhesive.



## POWER:

---

The UniLED does not have a manual power switch. Once in place, this solar light will automatically illuminate each night, when charged.

## STORAGE:

---

Max. 3 months storage when fully charged – recharge will be required periodically to prevent damage to battery over long periods of time. When retrieving from storage, charge for a full day before first use, as the battery will have depleted.

