



WARNINGS



PLEASE READ THESE INSTRUCTIONS CAREFULLY PRIOR TO INSTALLATION / MAINTENANCE

- If a fitting is found to be damaged, cease use immediately.
- This is a Class I product and must be earthed.
- This unit must be fitted by a competent and qualified electrician.
- Install in accordance with IEE wiring regulations and current Building Regulations.
- To prevent electrocution, switch off mains supply before installing or maintaining this fitting. Ensure other persons cannot restore the electrical supply without your knowledge.
- This light fitting should be connected to a circuit with a 30Ma RCD fitted. Maximum 12-15 fittings on each circuit recommended.
- If replacing an existing fitting, make a careful note of the connections.
- All connections should be made as watertight as possible to avoid electrical shortage.
- When changing the bulb, always switch off at the mains & allow to cool before handling.
- Always use the correct type & wattage bulb. Never exceed the wattage stated.
- The unit may get warm whilst on for a period of time.

Voltage: 220 - 240v 50Hz

Max. Wattage: 35w

Bulb Holder: ES / E27 (Extender included)

Recommended Bulb: High Output LED Corn Bulb

IP Rating: IP65 / Sensors = IP44

Product Dimensions: 1400mm * 140mm

Head Style: Louvred / curved top

Materials: Marine Grade Stainless Steel 316 / Polycarbonate Lens

Mount: In-ground Root Mount System

Sensor (optional): Photocell (Dusk to Dawn)

Cable: 3*0.75mm² H05RN-F Rubber Cable (internal to base)

Connection: Single In-line Connector IP68 (<1.5mm² 3 core / 10mm diameter)

Additional Information: Head packed separately (with fixings)

INCLUDED: Bollard Head, Root Mount Tube c/w E27 Bulb Holder (and sensor if selected), Bulb Holder Extender (for use with shorter lamps), Anchor Bar & 2x nuts, 4x M4*5mm Socket Screws, 1 x 2.5mm socket wrench, Bulb (optional).



**5 YEAR
GUARANTEE**

see website for
more details
Reduced warranty for
specific components



CLEANING:

Occasional cleaning and care is recommended for this product. Please refer to our website for the best way to clean different materials.

CONDENSATION:

Condensation can occur due to the warmth inside the fitting produced by the lamp and the cold air outside. If this is noticed, on a dry day, turn off the power supply, safely remove the head, and wipe dry with a soft cloth. It is recommended to always install/change the lamp on a dry day to prevent trapping damp air inside the fitting.

RETURNS:

If purchased from a 3rd party, please contact your supplier. If purchased direct, contact us by phone or email:
Lumena Lights Ltd, Centre 33 Long March, Daventry, NN11 4NR Tel: +44 1327 871161 Email: sales@lumenalights.com

Our full returns policy is available on our website.

Waste Electrical Products should not be disposed of with household waste. Please check with your local authority or contact us for more information. Please recycle packaging whenever possible.

Producer Registration Numbers: WEE/KC3440XY

TROUBLESHOOTING:

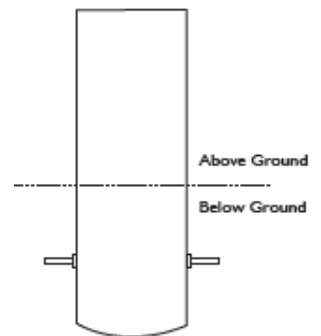
If the bollard ceases to function correctly, check the following:

1. Check inside the head for condensation and change the lamp to test if the lamp has failed.
2. Check the cables and connections for damage, water ingress and loose cable
3. If none of the above fix the issue, the sensor (if applicable) may have failed. This can be tested by bypassing the sensor. In this instance, contact the supplier/manufacturer to claim under warranty or request a spare component.

INSTALLATION:

IMPORTANT: Cable should be laid inside armoured conduit to protect from water-logging, chemicals found in soil and damage. If buried, it should be buried to at least 0.5m below ground to reduce damage risk. All wiring should be undertaken following current British Standards (BS 7671).

1. Push the anchor bar through the pre-drilled holes at the base of the tube and secure in place with the 2 x locking nuts provided.
2. Prepare a mounting hole in the desired location to allow for a tube depth of approx. 400mm (can vary depending on the required height above ground). Ensure the diameter of the hole is at least 400mm to accommodate the anchor bar & tube and allow for concrete / earth to be added – concrete installation recommended. TIP: For photocell versions, carry out placement check ensuring the pre-drilled photocell hole in the tube will be facing the correct direction for optimum light sensitivity.
3. Remove the bulb holder plate from the bollard tube by removing the 3x cross head screws & washers to locate the cable and in-line connector. For photocell versions, rest the bulb holder on the rim of the tube.
4. Pull the mains supply cable up from the prepared hole and pass through the tube / body of the bollard to reach the top.
5. Wire the bollard to the power supply via the in-line connector as per below (see WIRING). TIP: ensure the inline connector remains above ground level to allow the connection to be accessible after full installation.
6. Reattach the bulb holder ensuring the rubber seal is in tact around the edge of the mounting plate and not twisted. Secure with the 3x screws and washers removed in step XX.
7. Insert E27 light bulb (see LAMP INSTALLATION / REPLACEMENT below).
8. Attach the head and secure in place with the 4 x M4 socket screws from bollard head using a 2.5mm socket wrench (supplied) ensuring the clear rubber washer is in place at the underside of the screw head. Alternate the tightening of screws to prevent misalignment.
9. Position the bollard in the prepared hole. For photocell versions, ensure the photocell is facing the correct direction for optimal performance (not in shade). Use supports to hold the fitting upright and check with a spirit level. Fill the hole with concrete up to at least 300mm (200mm above the anchor bar), ensuring the bar it is full concealed. Postcrete is recommended for a quicker set time. Once set, top with earth.
10. Test the bollard. For photocell models, the sensor will need to be covered in daylight to activate the bulb holder.



IMPORTANT: Do not overtighten screws. Do not use high power tools as this could damage the screws, thread or bollard.

WIRING:

Always ensure the power supply is turned off prior to wiring

The in-line connector supplied can be used with 3 core cable up to 1.5mm² (10mm diameter).

1. Unscrew and remove the male end cap & nut (anti-clockwise) completely to expose the connector block.
2. Unscrew the female end cable at the cable end and pass over the cable slightly to allow movement of the connector.
3. Push the cable further inside the in-line connector to fully reveal the connector block.
4. Pass the mains power feed through the fully removed end cap and wire each inner cable to the correct terminal, securing in place with the terminal screw. Ensure the screw clamps the conductor, not the inner sheath, and that all cables are secure with no loose conductor strands (see terminals info).
5. Push the connector block back inside the in-line connector casing fully, ensuring the red rubber grommet has not dislodged at the male end of the casing, and refasten the female end cap tightly.
6. Refasten the male end cap & nut fully to clamp the power cable. Ensure the red o-ring is in place before fastening.

TERMINALS (labelled to left):

N = Neutral / Blue

L = Live In / Brown

⊕ = Earth / Yellow & Green

Colours of wire sleeving may vary slightly – Test prior to use.



NOTE: At the male end cap, the nut fastens to the casing, the cap clamps around the cable. Ensure both are secure.

LAMP INSTALLATION / REPLACEMENT:

Always ensure the power supply is turned off prior to changing the lamp

1. Remove 4 x M4 socket screws from bollard head using a 2.5mm socket wrench (supplied).
2. Remove the head by lifting this off the bollard tube / body.
3. Insert lamp (screw base – E27). This fitting is recommended for use with an LED Corn Bulb (no extender required). An E27 bulb holder extender has been supplied for use with standard GLS LED lamps. To remove a lamp, unscrew anti-clockwise.
4. Replace head and secure in place with the screws removed in step '1', ensuring the clear rubber o-rings are still in position. Alternate the tightening of screws to prevent misalignment.

NOTE: Always turn the lamp at the base, do not grip the glass / polycarbonate lens during removal / installation.

Full product range & more information: www.lumenalights.com