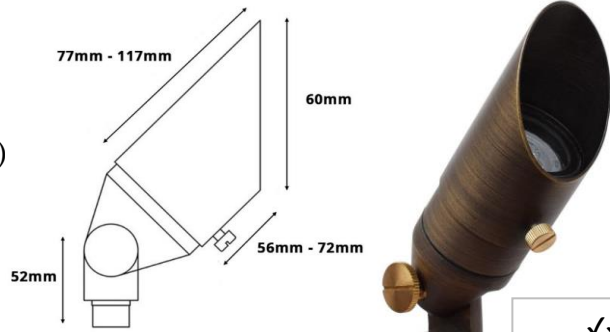


THANK YOU FOR YOUR PURCHASE  
PLEASE READ THESE INSTRUCTIONS CAREFULLY PRIOR TO INSTALLATION / MAINTENANCE

### SPECIFICATIONS

**Voltage:** 12v (low voltage)  
**Max Wattage:** 20W  
**Bulb Holder:** MR11 (lamp sold separately)  
**IP Rating:** IP54 (Connector IP44)  
**Cable Type:** 0.75mm 2 Core H05RN-F (VERSA Plug & Play)  
**Cable Length:** Approx. 5m  
**Materials:** Solid Brass / Toughened Glass  
**Finish:** Rustic Bronze / Aged Silver  
**Lens:** Glass (Convex) with Glare Shield  
**Weight:** 0.70KG (approx.)  
**Adjustable:** Yes (serrated clamp joint)  
**Mounting Thread:** 21mm  
**Transformer Required:** 12v AC (wattage dependent on total wattage of circuit)  
**Mounts & Accessories Available:** Ground Spike, Surface Mount, Tree Bracket, Wall Mount, Extension Poles (all sold separately)



✓✓  
**2 YEAR**  
**GUARANTEE**  
 UK - see website  
 for more details



### WARNINGS



- This is a Class 3 product (Low Voltage) – no earth required.
- **12V TRANSFORMER REQUIRED – sold separately**
- Always use the correct type and wattage of 12v transformer.
- This unit **must** be fitted by a competent person – if in doubt consult a qualified electrician.
- To prevent electrocution, switch off mains supply before installing or maintaining this fitting. Ensure other persons cannot restore the electrical supply without your knowledge.
- This light fitting should be connected to a circuit with a 30Ma RCD fitted. Maximum 12-15 fittings on each circuit recommended.
- If replacing an existing fitting, make a careful note of the connections.
- All connections should be made as watertight as possible to avoid electrical shortage.
- Always switch off at the mains & allow the fitting to cool before commencing any electrical work or changing the bulb.
- Always use the correct type & wattage bulb. Never exceed the wattage stated.
- The unit may get warm whilst on for a period of time.
- If the luminaire or cable is found to be damaged, cease use immediately.

### CLEANING:

Occasional cleaning and care are recommended for this product. Wipe with a soft, slightly damp cloth to remove any surface dirt. Do not use abrasive cleaners or a lot of water as this could damage the fitting. Please refer to our website for more information on the best way to clean different materials.

### RETURNS & DISPOSAL: (Our full returns policy is available on our website)

If purchased from a 3<sup>rd</sup> party, please contact your supplier. If purchased direct, contact us by phone or email:  
 Lumena Lights Ltd, Centre 33 Long March, Daventry, NN11 4NR Tel: +44 1327 871161 Email: [sales@lumenalights.com](mailto:sales@lumenalights.com)

Waste Electrical Products should not be disposed of with household waste. Please check with your local authority or contact us for more information. Please recycle packaging wherever possible. **Producer Registration Number: WEE/KC3440XY**

Full product range & more information: [www.lumenalights.com](http://www.lumenalights.com)

## INSTALLATION:

---

- Attach the fitting to the relevant mount by threading the cable through the mount and then fastening securely onto the threaded base (clockwise). Ensure the cable is spinning freely with the fitting or it will twist and could damage the internal connection. TIP: Hold the mount steady and twist the fitting.
- Install the mount in position (see below).
- Connect the fitting to the transformer – power supply (see below for wiring / connection).
- Adjust the angle of the spotlight by loosening the brass serrated clamp joint screw, adjusting head, then re-tighten the brass screw securely (wide flat head screwdriver may be required). Always ensure the glare shield is at the top of the fitting.
- Adjust the glare shield by loosening the brass screw, on the underside of the cap, adjust shield to position required, and tighten the brass screw back up (wide flat head screwdriver may be required).

### GROUND SPIKE

- Dampen the ground where the fitting is to be installed – ensure there is enough cable slack.
- Once the fitting is attached to the spike, push firmly into the ground (do not put pressure on the end of the head or it could damage the serrated clamp joint, put pressure only in line with the mount at the back of the head). If there is a lot of resistance, soften the ground further prior to installation and change location.
- Compact the earth around the spike.

### SURFACE MOUNT / WALL MOUNT

- Use the pre-drilled holes of the mount as a guide.
- Mark the mounting holes in the desired location.
- Fix in place with fixings relevant to the materials of location e.g. wood screws / wall plugs & screws (not supplied).

## WIRING / CONNECTION:

---

### IMPORTANT: 240v – 12v AC Transformer Required (sold separately)

- Push the plug firmly into the female adaptor of the Transformer or splitter.
- Screw the attached threaded cap to the female adaptor to create a secure, watertight connection.
- If a splitter is used, ensure a waterproof cap is used to cover any unused terminals.
- Attach the transformer to the splitter (sold separately) using the same method as above (extension cable may be required).
- Plug the transformer into the outdoor waterproof mains socket.

### NOTES:

- To avoid damage to cable after installation, ensure all cabling is positioned carefully around the edges of the garden, in conduit or similar, or hooked up on fences etc.
- It is recommended that the number of fittings on each circuit are kept to a minimum, fittings are positioned as evenly as possible around a circuit and each run kept as short as possible to prevent voltage drop. For longer cable runs. Thicker cable (1.5mm or 2.5mm) may be required.
- Ensure the transformer has plenty of air circulation to avoid overheating.
- For hardwiring, the plug & play connector can be snipped off and the fitting wired using a waterproof junction box.

Male 2 Pin Plug & Play Adaptor (supplied)

Female 2 Pin Plug & Play Adaptor



## LAMP INSTALLATION / REPLACEMENT:

---

- Remove the glare shield by unscrewing the small brass nut on the underside. Then unscrew the cap (anti-clockwise).
- Insert MR11 lamp (push action). Ensure the bulb is straight when installed to avoid damaging the pins.
- Replace the cap (secure the glare shield back in place by tightening the brass nut), ensuring o-rings are in place and the fitting is closed completely and evenly.

**IMPORTANT:** Condensation may occur due to the warmth inside the fitting produced by the lamp and the cold air outside. If this is noticed, on a dry day, turn off the power supply, safely remove the front plate and wipe dry with a soft cloth.

## TROUBLESHOOTING:

---

If for any reason the fitting does not work after installation, please follow the below steps safely (power supply must be off):

- Check if other fittings on the same circuit are working (in case of transformer / circuit issue)
- Check that all connections are correct and secure
- Check the cable and bulb holder for damage
- Change the LED bulb, double checking that it does not exceed the maximum wattage

If the fitting stops working after a period of time, please follow the above steps with the addition on the following:

- Check the fitting and connections for damage or water ingress

If none of the above rectifies the issue, please contact us for further assistance.

Full product range & more information: [www.lumenalights.com](http://www.lumenalights.com)